

SHELVING

SHELVING  
ACCESSORIES

TROLLEYS

HARDWARE

BARWARE

KITCHEN  
EQUIPMENT

HOSPITALITY  
FURNITURE

# MANTOVA



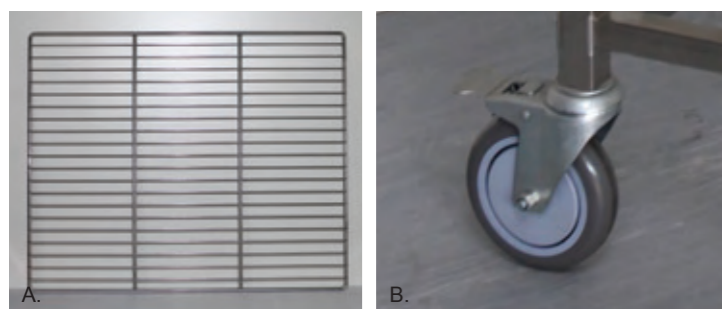
TROLLEYS

## 2/1 Gastronorm Trolley

Gastronorm Trolleys are made with a 30mm square tube frame and 1.5mm thick tray runners providing uncompromised strength. Easy to clean Tray Locks and 4 locking castors fitted as standard make for a maneuverable and practical addition to any work place.

- ▶ Easy to Clean
- ▶ **CAPACITY**  
18 trays @ 75mm centres
- ▶ **RUNNERS**  
1.5mm thick Stainless Steel
- ▶ **FRAME**  
30mm x 30mm Square x  
1.2mm Stainless Steel Tube
- ▶ **CASTORS**  
4 x 125mm Rubber Locking Castors

\*\* Tray Locks and Locking Castors are included.  
Trolleys are supplied flat packed for ease of handling and cost efficient delivery.



A. Stainless Steel 2/1 Gastronorm Racks  
B. Locking Castors x 4

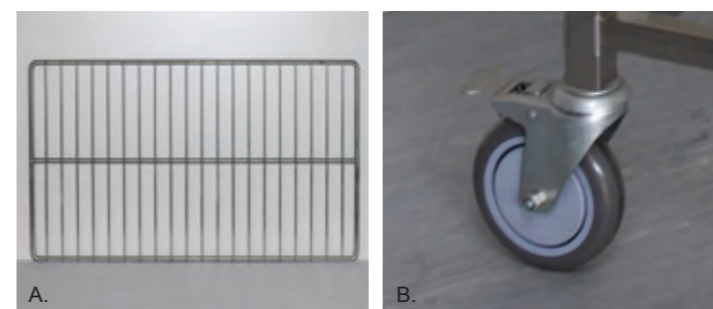
### 2/1 Gastronorm Trolley

Part No.	Dimensions O/A (mm)	Tray Size (mm)	Capacity	Finish
# 0287N	690 x 630 x 1700 H (incl. castors)	530 x 650	18 trays	Polished Stainless Steel

## 1/1 Gastronorm Trolley

Mantova's 1/1 Gastronorm Trolleys are made to be maneuverable and easy to clean allowing more time for getting down to business. A 25mm square tube frame and 1.5mm thick tray runners make for a strong and compact trolley. Easy to clean Tray Locks and 4 Locking Castors are fitted as standard.

- ▶ Easy to Clean
- ▶ **CAPACITY**  
17 trays @ 75mm centres
- ▶ **RUNNERS**  
1.5mm thick Stainless Steel
- ▶ **FRAME**  
25mm x 25mm Square x  
1.2mm Stainless Steel Tube
- ▶ **CASTORS**  
4 x 125mm Rubber Locking Castors



A. Stainless Steel 1/1 Gastronorm Racks  
B. Locking Castors x 4

### 1/1 Gastronorm Trolley

Part No.	Dimensions O/A (mm)	Tray Size (mm)	Capacity	Finish
# 0287E17TL	410 x 565 x 1700 H (incl. castors)	530 x 325	17 trays	Polished Stainless Steel

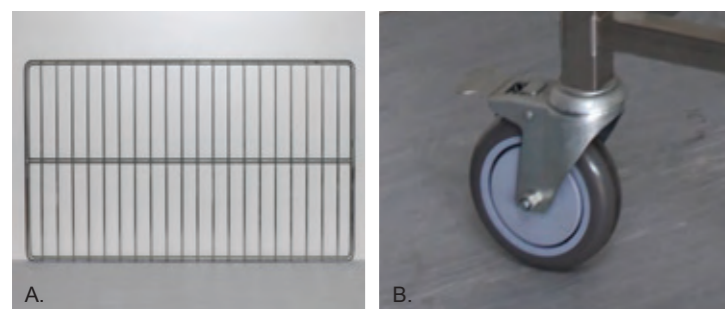


# 1/1 Double Half Height Gastronom Trolley

Half Height gastronorm trolleys allow greater stability and visibility while transporting up to 18 x 1/1 gastronorm trays. Sturdy stainless steel construction, tray locks and four locking castors are standard.

- ▶ **CAPACITY**  
18 trays @ 75mm centres
- ▶ **RUNNERS**  
1.5mm thick Stainless Steel
- ▶ **FRAME**  
25mm x 25mm Square x  
1.2mm Stainless Steel Tube
- ▶ **CASTORS**  
4 x 125mm Rubber Locking Castors

\*\* Tray Locks and Locking Castors are included.  
Trolleys are supplied flat packed for ease of handling and cost efficient delivery.



A. Stainless Steel Gastronom Racks  
B. Locking Castors x 4

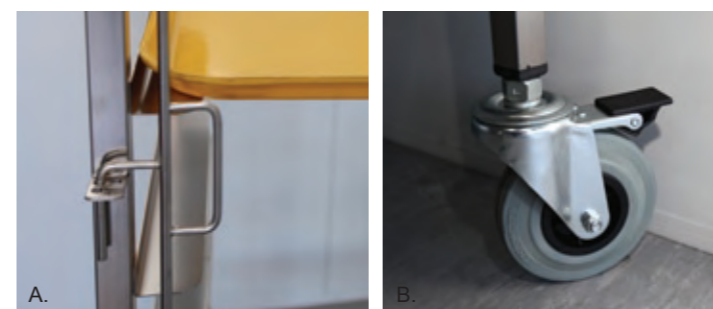
1/1 Double Half Height Gastronom Trolley				
Part No.	Dimensions O/A (mm)	Tray Size (mm)	Capacity	Finish
# 0287HALFN	760 x 555 x 1050 H (incl. castors)	530 x 325	18 trays	Polished Stainless Steel

# Breakfast Tray Trolley

Mantova's trolleys are made to be tough and reliable. The Breakfast Tray trolley is made from 25mm square tube and 1.5mm thick tray runners for heavy loads. It has easy to clean Tray Locks and 2 locking castors.

- ▶ **CAPACITY**  
10 trays @ 150mm centres
- ▶ **RUNNERS**  
1.5mm thick Stainless Steel
- ▶ **FRAME**  
25mm x 25mm Square x  
1.2mm Stainless Steel Tube
- ▶ **CASTORS**  
4 x 125mm Rubber Castors  
(2 Locking)

\*\* Trolleys are supplied flat packed for ease of handling and cost efficient delivery.



A. Easy to clean Tray Locks  
B. Locking Castors

Breakfast Tray Trolley				
Part No.	Dimensions O/A (mm)	Tray Size (mm)	Capacity	Finish
# 0281	590 x your tray size x 1768 H (incl. castors)	530 x 325	10 trays	Polished Stainless Steel

# Trolleys

## M-SPAN GENERAL PURPOSE TROLLEY

Heavy duty General Purpose trolley suitable for any commercial environment. This Robust trolley can hold 150kg per level and is available with shelf ledges.



### M-SPAN General Purpose Trolleys

Part No.	Description	Size (mm)	Finish
# H450S	2 Handles per Trolley	450 W	Stainless Steel
# H600S		600 W	

## DOLLEY TROLLEY

Heavy Duty Hot Dip Galvanised Dolley suitable for Nally and assorted plastic tubs.



# 1971 Dolley Trolley

### Dolley Trolleys

Part No.	Description	Size (mm)	Finish
# 1971	Dolley Trolley	596 x 362	Hot Dip Galvanised
# 1972	3 Wheel Round Dolley	-	
# 1980	No. 12 Dolley	400 x 660	
# 1981	Oval Dolley	580 x 475	

# Pastry Trolley

Mantova's Pastry trolleys come in a range of sizes and options to best suit your business needs and budget. Trolleys are designed to be flat packed for cost efficient delivery and are easily assembled using simple but strong locking crossbars.

- ▶ **CAPACITY**  
18 trays @ 75mm spacing
- ▶ **RUNNERS**  
1.6mm thick Mild Steel
- ▶ **CASTORS**  
4 x 125mm Rubber Swivel Castors
- ▶ **OPTIONS**
  - Side or End Load
  - Castors with Brake
  - Custom Tray width

\*\* Trolleys are supplied flat packed for ease of handling and cost efficient delivery.



Strong yet easy assembly

### Pastry Trolley

Part No.	Tray Size (mm)	Capacity	Finishes
# 0283	29" x 16"	18 trays	Zinc Plate
# 0283S	29" x 18"		Stainless Steel

# Glass Basket Trolley

Glass basket trolleys are available in a variety of capacities. Designed to make the movement of large amounts of glassware safe and efficient. The single four tier module can be used under the bar in lieu of fixed under bar frames.

Each trolley has the capacity for a removable drip tray for easy cleaning. All trolleys have adjustable runners.

▶ **CAPACITIES**

Trolleys are having capacities of 4 - 6 - 8 - 10 - 12 & 16 Baskets

▶ **MATERIALS**

Top and Base Frames in Stainless Steel  
Uprights and Runners in Anodised Aluminium

▶ **CASTORS**

4 Tray uses  
50mm Ball Castors

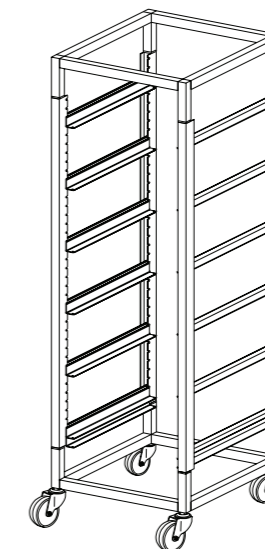
6 - 16 Tray uses  
125mm Grey Rubber Swivel Castors  
(2 with brake)

▶ **OPTIONS**

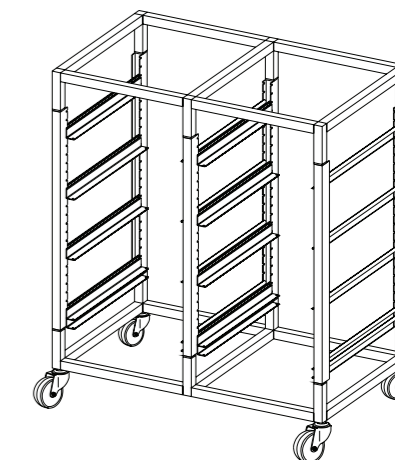
- 35mm deep "drop in" S/S top tray
- All capacities can be supplied as racks without castors



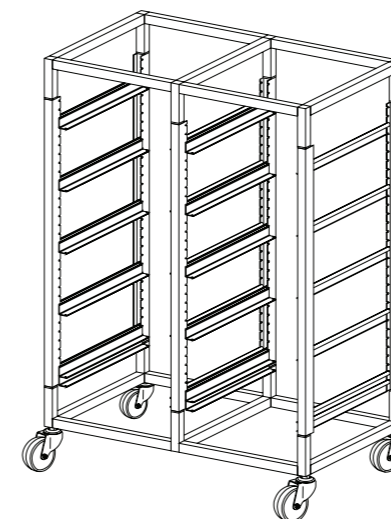
4 Baskets



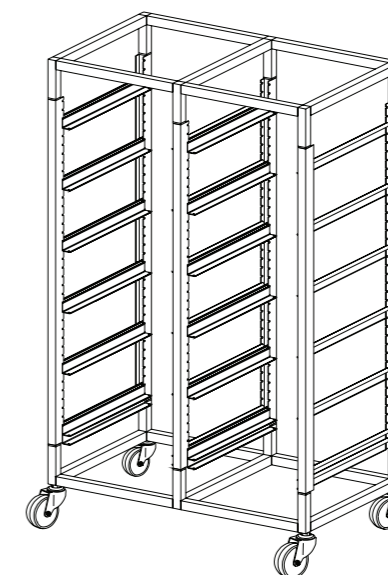
6 Baskets



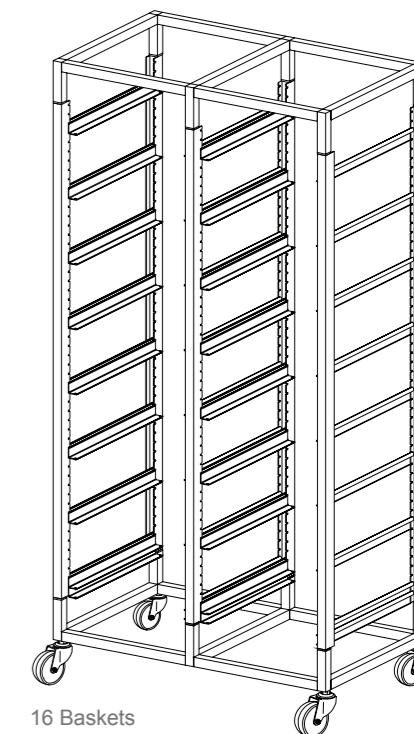
8 Baskets



10 Baskets

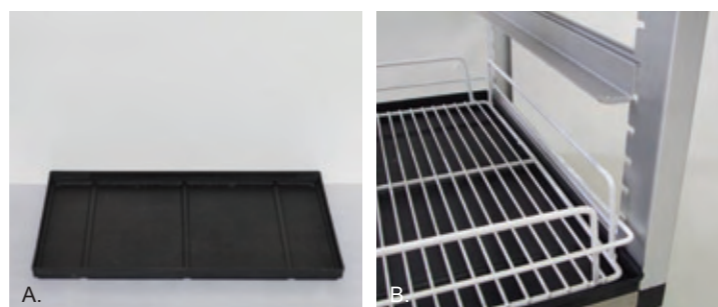


12 Baskets



16 Baskets

- A. Removable drip trays making cleaning up easy
- B. Adjustable runners to fit your size tray



**Glass Basket Trolley**

Part No.	Description	Size (mm)	Finish
# 1904	4 Basket Single Tier with 50mm castors	425 x 490 x 830 incl. castors	All in Stainless Steel and Aluminium
# 1906C	6 Basket Single Tier Trolley with 125mm castors	425 x 490 x 1261 + castors	
# 1908C	8 Basket Double Tier Trolley with 125mm castors	825 x 490 x 862 + castors	
# 1910C	10 Basket Double Tier Trolley with 125mm castors	825 x 490 x 1137 + castors	
# 1912C	12 Basket Double Tier Trolley with 125mm castors	825 x 490 x 1261 + castors	
# 1916C	16 Basket Double Tier Trolley with 125mm castors	825 x 490 x 1636 + castors	

\* add 165mm to frame height shown above for castors

See BARWARE section for racks without castors

# Trolleys

## CLEARING TROLLEY

- ▶ **FRAME**  
Stainless Steel Square Tube
- ▶ **CASTORS**  
4 x 125mm Rubber Locking Castors



Part No.	Description	Dimensions O/A (mm)	Finish
# 0310F	3 Tiers Solid Stainless Steel	950 x 500 x 940 H	Polished Stainless Steel

## CUTLERY TROLLEY

Made to suit most common Cutlery trays. Cutlery trays are not included.

- ▶ **CASTORS**  
50mm Ball Castors



Part No.	Description	Dimensions O/A (mm)	Finish
# 0335	Cutlery Trolley	600 x 310 x 820 H	Chrome + Stainless Steel

## BULK LAUNDRY TROLLEY

Utilizes a post wire shelf and a post style frame with 4 posts.

- ▶ **CASTORS**  
4 x 125mm Rubber Swivel Castors
- ▶ **BAG**  
Calico laundry bag supplied



Part No.	Description	Dimensions O/A (mm)	Finish
# 0313P	Bulk Laundry Trolley	900 x 600 x 910 H	Zinc Plated

## NALLY TUB TROLLEY

- ▶ **CAPACITY**  
Accommodates two Nally No. 10 or 15 Tubs
- ▶ **CASTORS**  
125mm Rubber Swivel Castors



Part No.	Description	Dimensions O/A (mm)	Finish
# 1976	Nally Tub Trolley	600 x 440 x 990 H	Blue Powder Coat



**MANTOVA**

QUALITY | STRENGTH | VALUE

[WWW.MANTOVA.COM.AU](http://WWW.MANTOVA.COM.AU)