



**COMPLETE COMMERCIAL
CATERING EQUIPMENT**
ABN 63 052 427 719

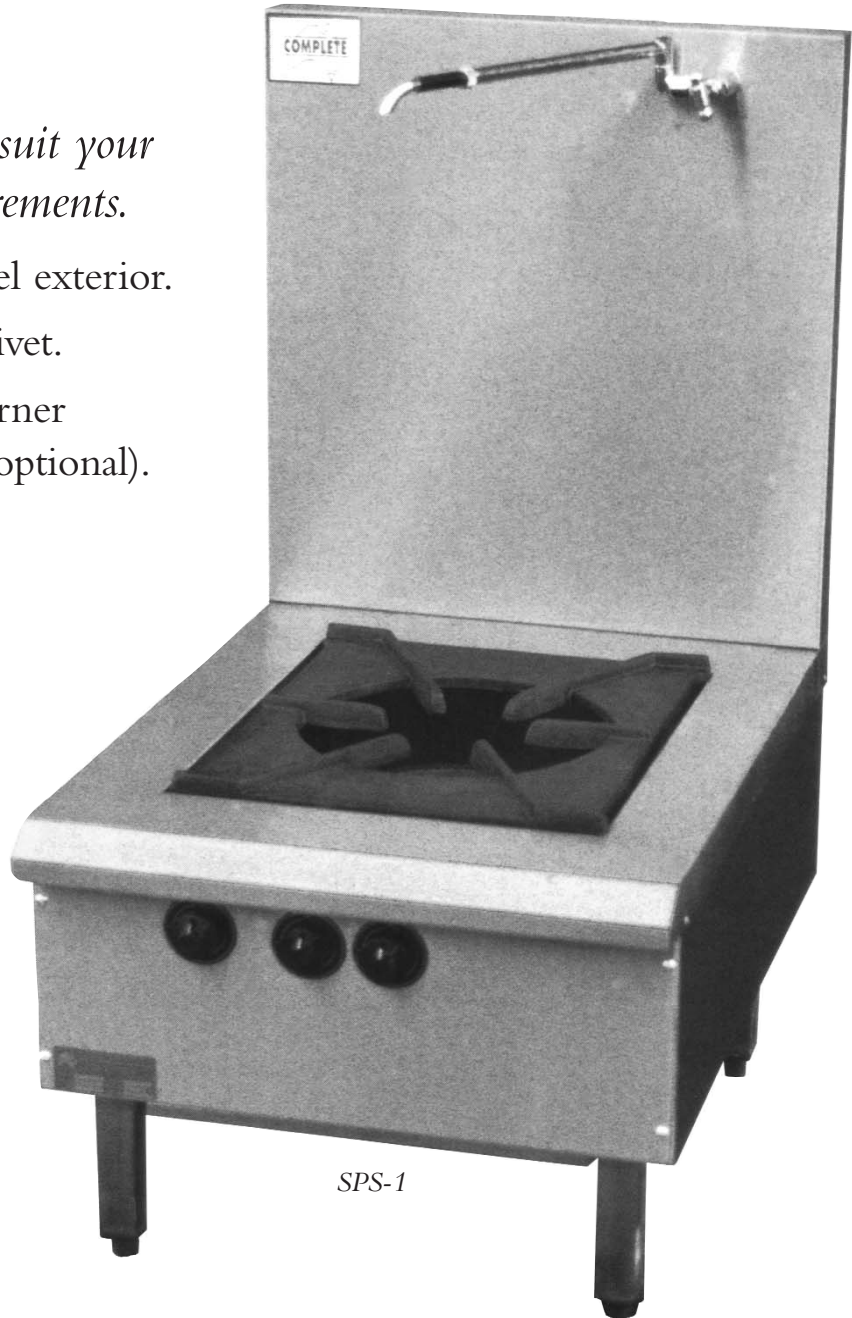


Stock Pot Unit

HIGH CAPACITY STOCK POT UNIT

*Designed to suit your
specific requirements.*

- Stainless steel exterior.
- Cast iron trivet.
- 60 mj/h burner
jet burner (optional).



SPS-1

Ring now to discuss your requirements.

Phone (03) 9334 5999

Fax (03) 9334 5622

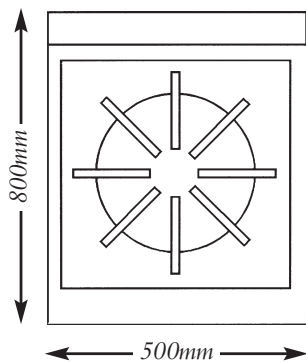
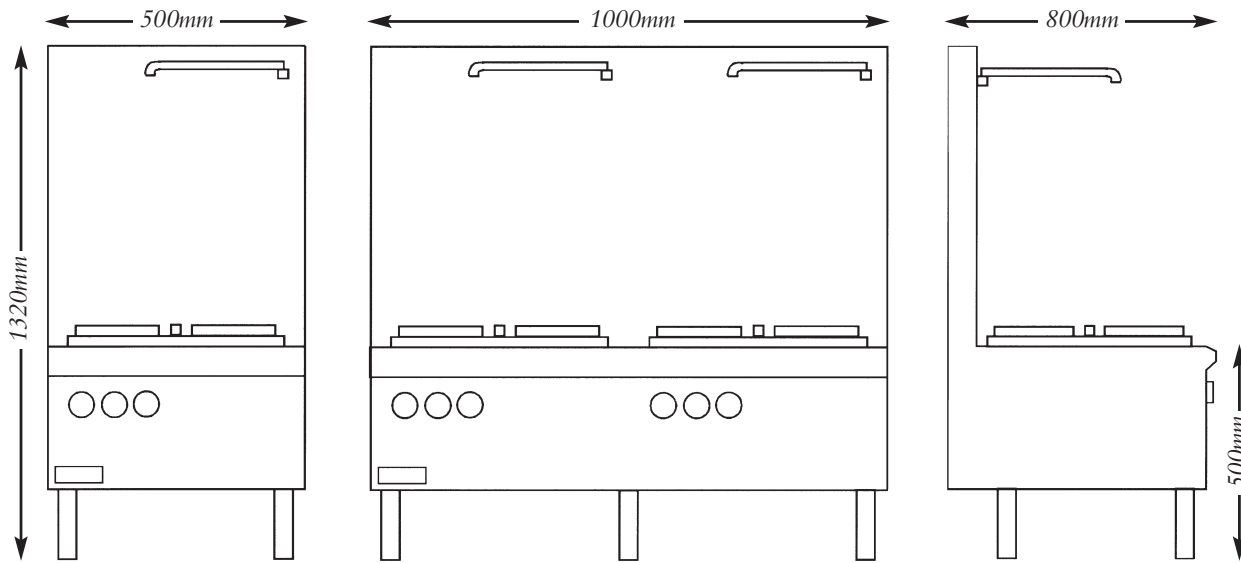
We produce a large range of custom-made equipment for the catering industry.

- Wok Tables
- Oven Ranges
- Combination Griller Toaster
- Fryers
- Gas Rice Cookers

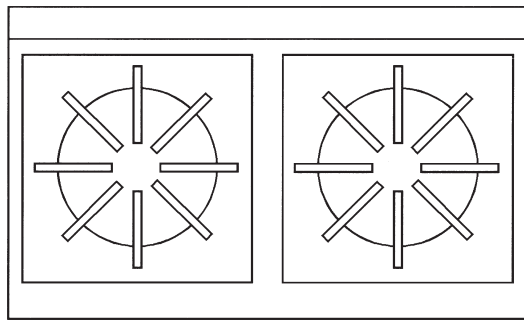
STOCK POT UNIT

Stock Pot Unit

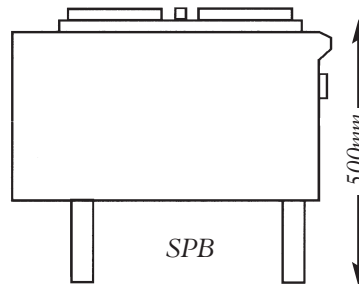
HIGH CAPACITY STOCK POT UNIT



SPS-1



SPS-2



SPB

Stainless steel exterior optional on this model.

Model	Trivets	Model size
SPS-1	1	500mm x 800mm
SPS-2	2	1000mm x 800mm
SPB	1	460mm x 660mm

Specifications

- Cast iron trivet.
- Laundry arm (on SPS 1 & 2 only).
- 60 mj/h burner..
- Jet burner - 135 MJ per hole(optional)



CCCE retains the right to change without notice

DISTRIBUTED BY:



COMPLETE COMMERCIAL CATERING EQUIPMENT

ABN 63 052 427 719

37 Lilee Crescent, Tullamarine Victoria 3043, Australia

Phone: (03) 9334 5999 Fax: (03) 9334 5622